

ECS-7000-2R

Intel® Core™ i7/ i5/ i3 Fanless Embedded System with Intel® QM77 Chipset, 2 Gigabit LAN, 2 Front-access 2.5" SSD/ HDD Tray, High Performance, Rugged, Extended Temperature



Features

- Intel® Quad Core™ i7/ i5/ i3 Processor (Ivy Bridge)
- Supports VGA/ DVI-D/ Dual DisplayPort/ LVDS interface, up to 3 independent displays
- Fanless, -25°C to 70°C Operating Temperature
- 2 Front-access 2.5" SSD/ HDD Tray
- 2 Independent Gigabit LAN, iAMT 8.0 supported
- SIM Card Socket for 3G/ 4G/ LTE/ WiFi/ GPRS/ UMTS
- 6V to 36V DC-in, 80V Surge Protection
- 4 COM, 4 USB 3.0, 4 USB 2.0
- 2 Mini PCIe, 1 Front-access CFast Socket
- 2 SATA III, 1 SATA II, 16 GPIO



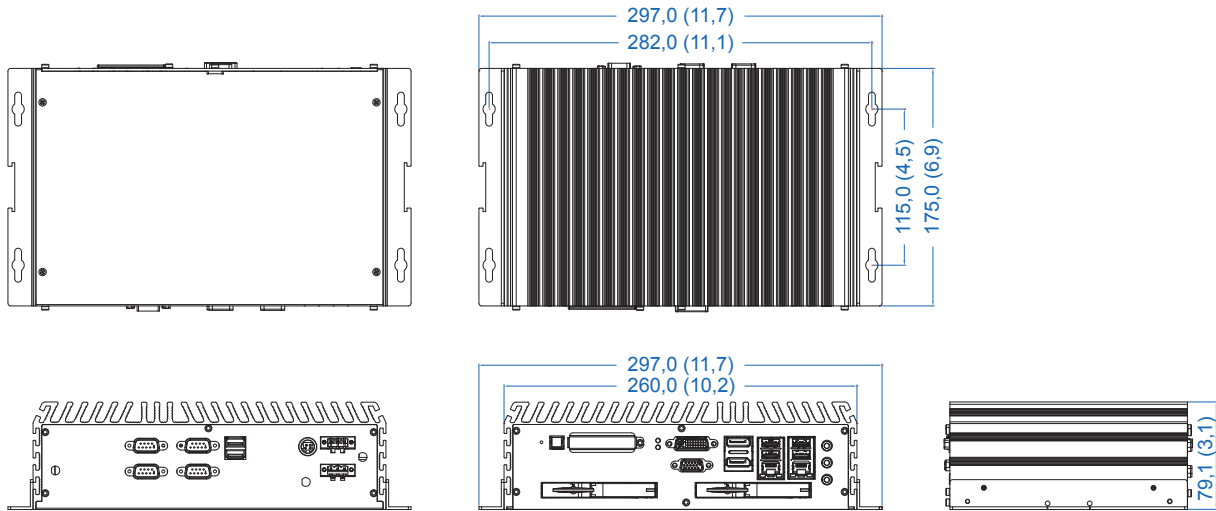
Specifications

System	
Processor	Intel® Core™ i7-3610QE/ i5-3610ME/ i3-3120ME
Chipset	Intel® QM77
BIOS	AMI
SIO	IT8783
Memory	2 DDR3 1066/ 1333/ 1600 MHz or DDR3L 1066/ 1333 MHz SO-DIMM, up to 16GB
I/O Interface	
Serial	<ul style="list-style-type: none"> 1 COM RS-232/ 422/ 485 3 COM RS-232
USB	<ul style="list-style-type: none"> 4 USB 3.0 (External) 4 USB 2.0 (2 External, 2 Internal by JST Connector)
GPIO	16 GPIO (Internal)
LED	Power, HDD
SIM Card	1 SIM Card Socket (Internal)
Expansion	
Mini PCIe	2 Mini PCIe Socket : <ul style="list-style-type: none"> 1 Mini PCIe Socket for PCIe/ USB/ Internal SIM Card/ Optional mSATA 1 Mini PCIe Socket for PCIe/ USB/ Optional mSATA
Graphics	
Graphics Processor	Intel® HD Graphics 4000
Display Memory	Shared Memory, up to 1.7GB
Interface	<ul style="list-style-type: none"> VGA : DB-15, up to 1920 x 1200 DVI-D : Up to 1920 x 1200 DisplayPort 1 : Up to 2560 x 1600 DisplayPort 2 : Up to 1920 x 1200 LVDS : Dual channel 24-bit, up to 1920 x 1200
Storage	
SATA	<ul style="list-style-type: none"> 2 SATA III (6Gbps) 1 SATA II (3Gbps), supports horizontal type SATA DOM
mSATA	2 SATA II (Mini PCIe Type, 3Gbps)
Storage Device	<ul style="list-style-type: none"> 1 CFast Socket, Push-in/ Push-out Ejector 2 2.5" SSD/ HDD Tray
Audio	
Audio Codec	Realtek ALC892, 5.1 Channel HD Audio
Audio Interface	1 Line-in, 1 Line-out, 1 Mic-in

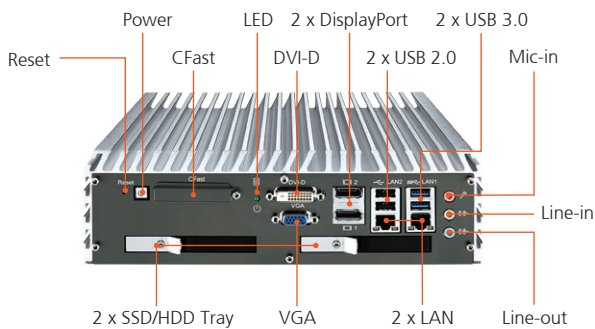
Ethernet	
LAN 1	Intel® 82579LM Gigabit LAN supports iAMT 8.0
LAN 2	Intel® 82574L Gigabit LAN
Power	
Power Input	6V to 36V, DC-in
Power Interface	<ul style="list-style-type: none"> 3-pin Terminal Block : V+, V-, Frame Ground Mini-DIN 4-pin
Remote Switch	3-pin Terminal Block
Surge Protection	Up to 80V/1ms Transient Power
Others	
TPM	Optional Infineon SLB9635 supports TPM 1.0, LPC Interface
Watchdog Timer	Reset : 1 to 255 sec./min. per step
Smart Management	Wake on LAN, PXE supported
HW Monitor	Monitoring temperature, voltages. Auto throttling control when CPU overheats.
Software Support	
OS	Windows 8, Windows 7, Windows XP, Linux
Mechanical	
Dimensions (W x L x H)	260mm x 175mm x 79mm (10.2" x 6.9" x 3.1")
Weight	2.8 kg (6.2 lb)
Mounting	<ul style="list-style-type: none"> Wallmount by mounting bracket 2U Rackmount (Optional)
Environment	
Operating Temperature	-25°C to 70°C (-13°F to 158°F)
Storage Temperature	-40°C to 85°C (-40°F to 185°F)
Humidity	10% to 95% Humidity, non-condensing
Relative Humidity	95% @ 70°C
Shock	<ul style="list-style-type: none"> IEC 60068-2-27 SSD : 50G @ wallmount, Half-sine, 11ms
Vibration	<ul style="list-style-type: none"> IEC 60068-2-64 SSD : 5Grms, 5Hz to 500Hz, 3 Axis
EMC	CE, FCC, EN 50155, EN 50121-3-2

Dimensions

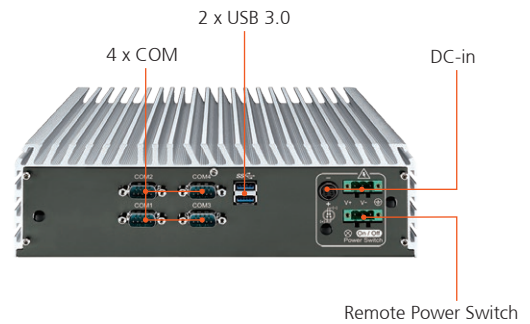
Unit : mm/ inch



Front I/O



Rear I/O



Order Information

ECS-7000-2R	ECS-7000 Fanless Embedded System, 2 GbE LAN, 2 Front-access SSD Tray, 4 COM, 8 USB, 1 SIM, 16 GPIO
i7-3610QE	Ivy Bridge 3 rd Gen Intel® Mobile Quad Core™ i7 Processor
i5-3610ME	Ivy Bridge 3 rd Gen Intel® Mobile Core™ i5 Processor
i3-3120ME	Ivy Bridge 3 rd Gen Intel® Mobile Core™ i3 Processor
M340S-W28M1	Vecow DDR3 4GB 1333/ 1066 MHz RAM, Wide Temperature -40°C to +85°C
Certified DDR3 4GB RAM	Certified DDR3 4GB 1333/ 1600 MHz RAM
Certified DDR3 8GB RAM	Certified DDR3 8GB 1333/ 1600 MHz RAM
PWA-120W	120W, 24V, 90VAC to 264VAC Power Adapter with 3-pin Terminal Block
PWA-120WM4P	120W, 24V, 90VAC to 264VAC Power Adapter with 4-pin Mini-DIN Connector
PWA-160W-WT	160W, 24V, 85VAC to 264VAC Power Adapter with 3-pin Terminal Block, Wide Temperature -30°C to +70°C
VESA Mount	VESA Mounting Kit
DIN-RAIL	DIN Rail Kit
Rack Mount	2U Rackmount Kit
3G Module	Mini PCIe 3G/GPS Module with Antenna
4G Module	Mini PCIe 4G/GPS Module with Antenna
WiFi & Bluetooth Module	Intel® Mini PCIe WiFi & Bluetooth Module with Antenna

1

High Performance
Embedded System

2

Expandable
Embedded System

3

Ultra Compact
Embedded System

4

Multi-Touch
Computer/ Display

5

Frame
Grabber